

Pareto

Aluminum Systems



ALFOTM

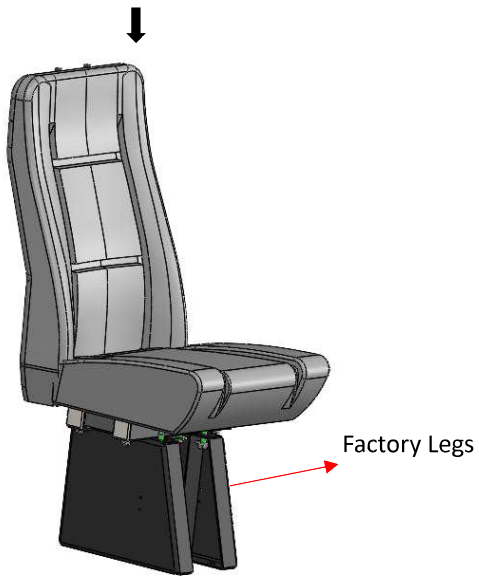
Aluminum Flooring System

www.paretoas.com

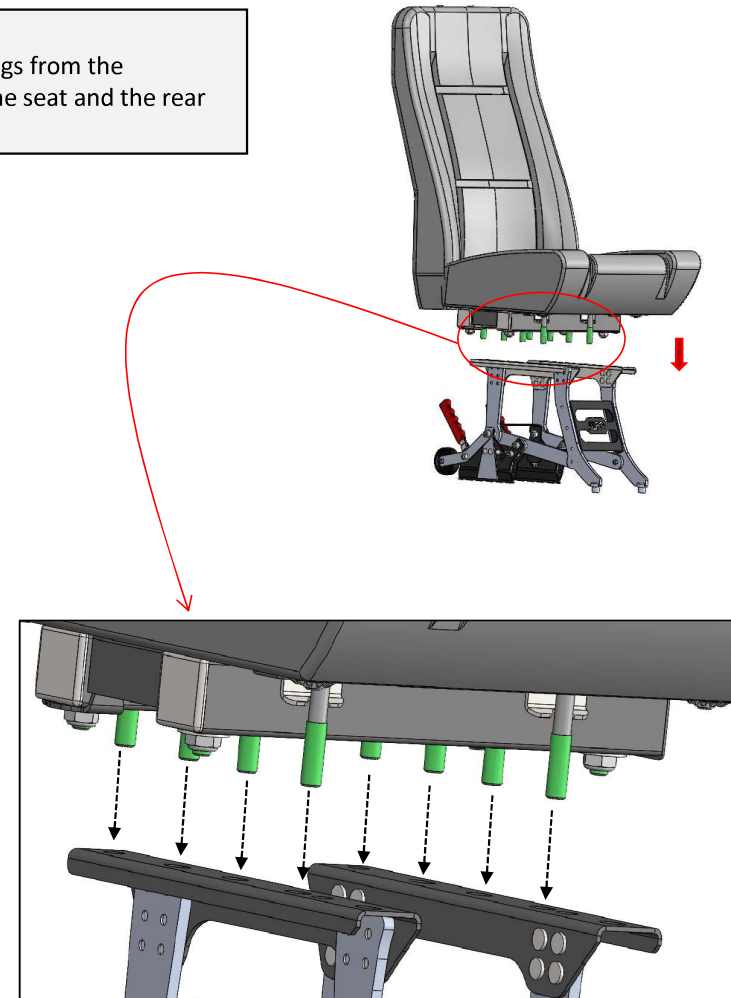
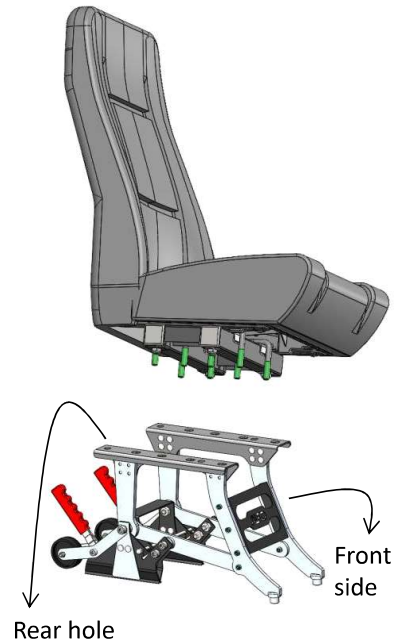
Installation Guide for Freedman Single Seat with Quick Release

STEP 1:
Uninstall the factory legs by uninstalling the nut from LH and RH side of legs and discard the legs

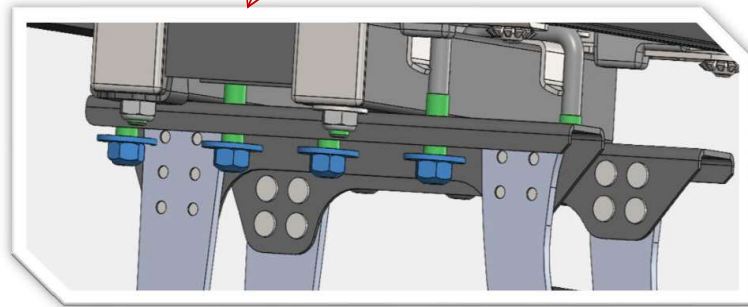
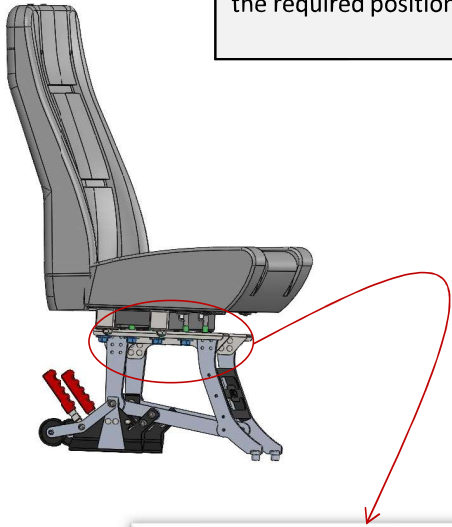
Fully Assembled GO-ES Seat With Factory Legs



STEP 2:
• Assemble the seat with the QR Legs from the reference of Rear side U bolt of the seat and the rear hole of the QR Leg.



STEP 3 : Tighten all the washer & Nut with the QR Leg at the required positions in both LH and RH side.

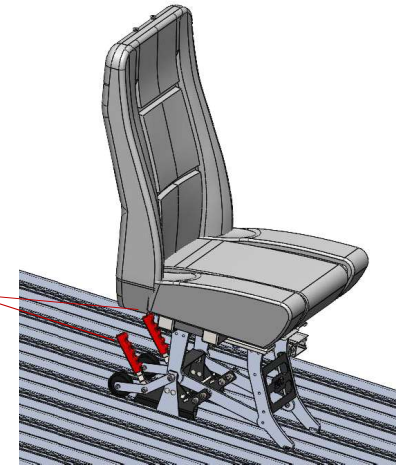


STEP 4 : Completely Fix the seat assembly in the aligned floor panel and Lock it by using both locking handles

❖ **Ensure**

- The QR leg rear tongue is fully inserted inside the floor panel as shown in **image 1: 2**
- The locking handles are fully locked as shown in the **image 1:1**

Locking Handles at unlocked condition



At fully locked condition, the both locking handles are in vertical in direction as shown below.

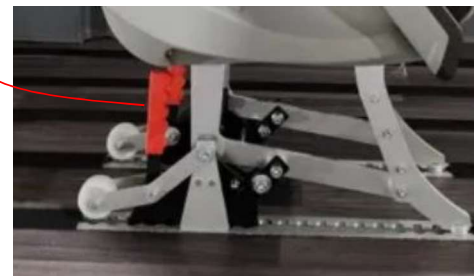
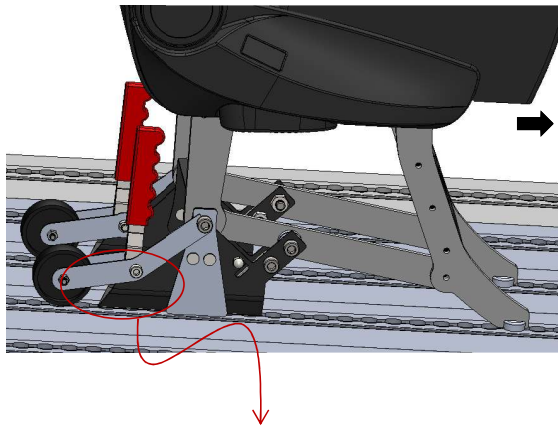


IMAGE 1:1



Fully assembled seat with the floor in locked condition



Tongue fully locked inside the floor panel

Image 1:2 ✓

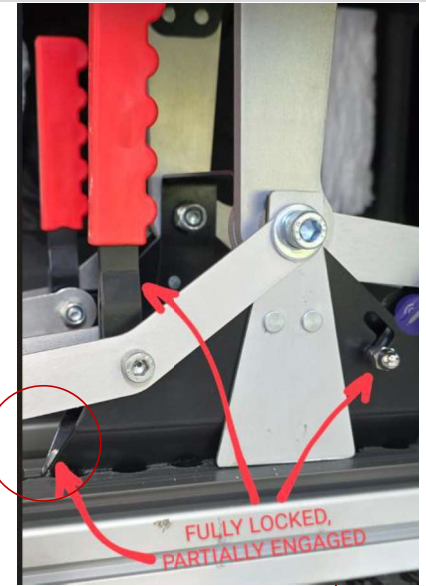
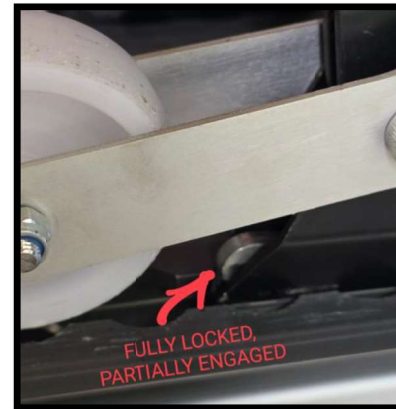


Image 1:3 ✗

Tongue is not fully inserted.

If the tongue is not fully inserted. Unlock the both locking handles and insert the tongue as shown in image 1:2 and lock the both locking handles.

Pareto

Aluminum Systems



ALFOTM

Aluminum Flooring System

www.paretoas.com

Installation Guide for Sege Seat with Quick Release

STEP 1:

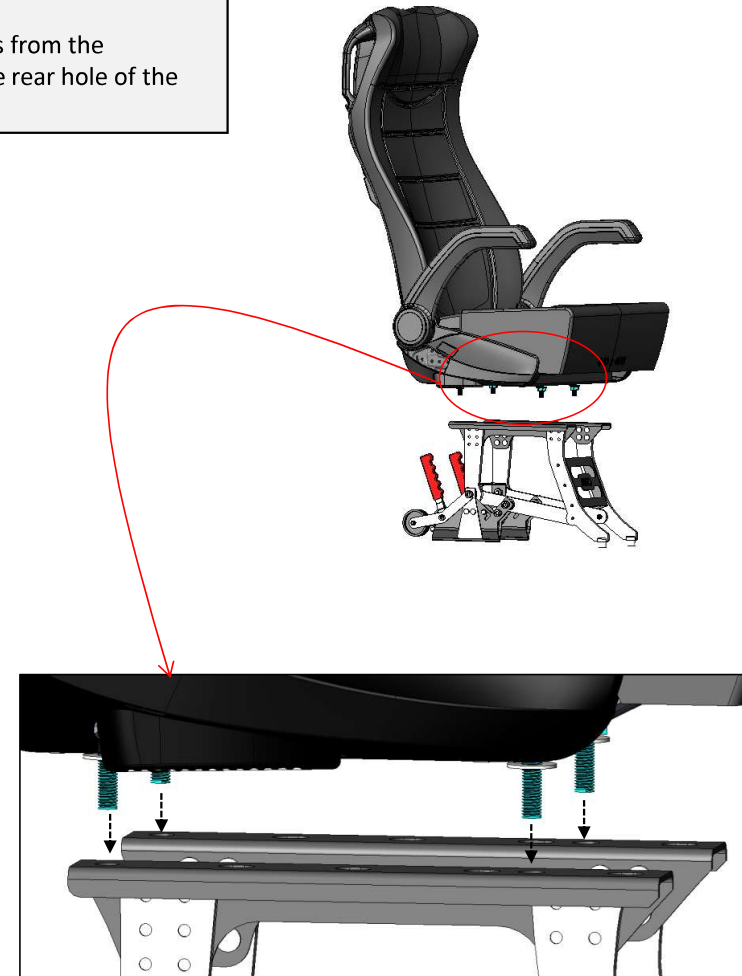
Uninstall the factory legs by uninstalling the nut from LH and RH side of legs and discard the legs

Fully Assembled Sege Seat With Factory Legs

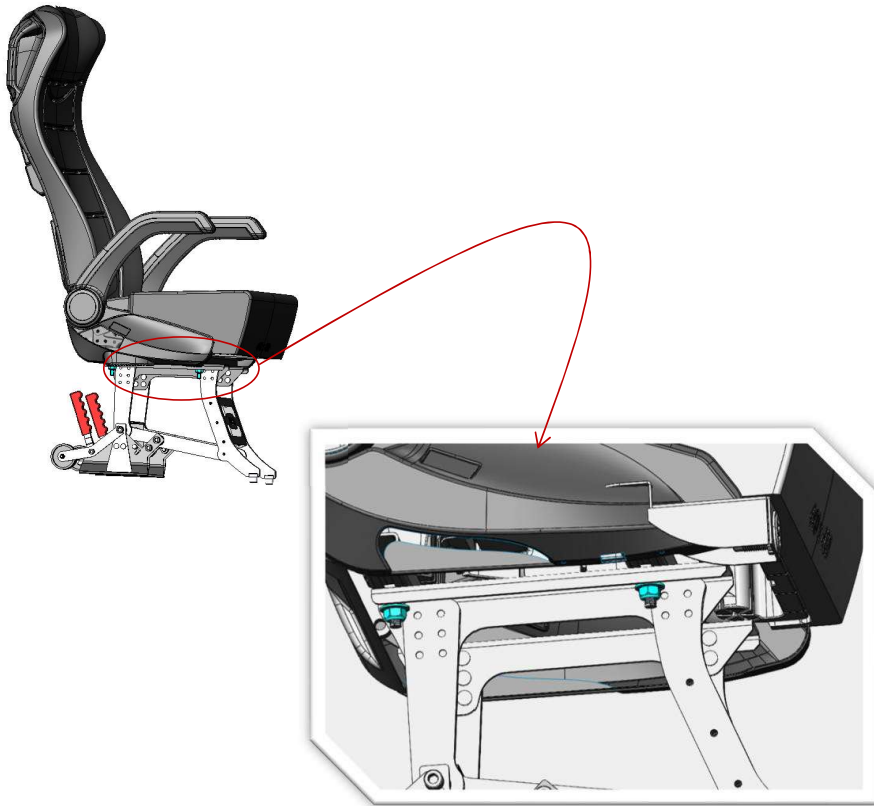


STEP 2:

- Assemble the seat with the QR Legs from the reference of rear side bolts with the rear hole of the QR Leg.



STEP 3 : Tighten all the washer & Nut with the QR Leg at the required positions in both LH & RH side.



STEP 4 : Completely Fix the seat assembly in the aligned floor panel and Lock it by using both locking handles

❖ **Ensure**

- The QR leg rear tongue is fully inserted inside the floor panel
- The locking handles are fully locked as shown in the image 1:1

Locking Handles in unlocked condition

At fully locked condition, the both locking handles are in vertical in direction as shown below.

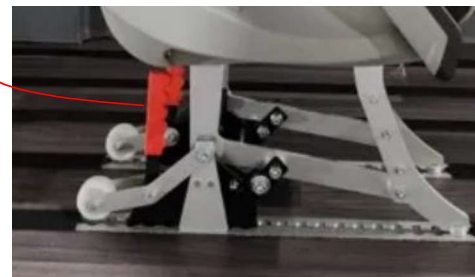
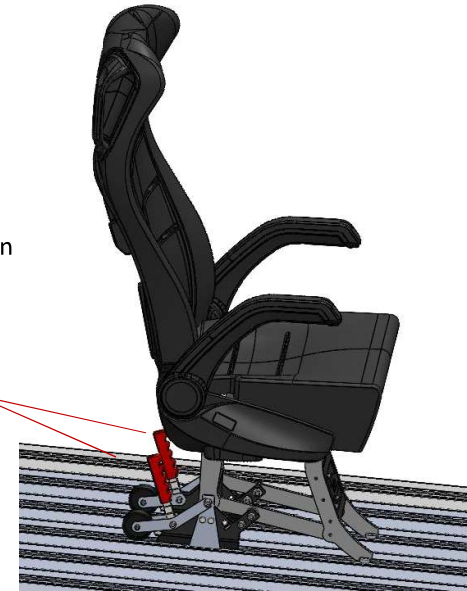
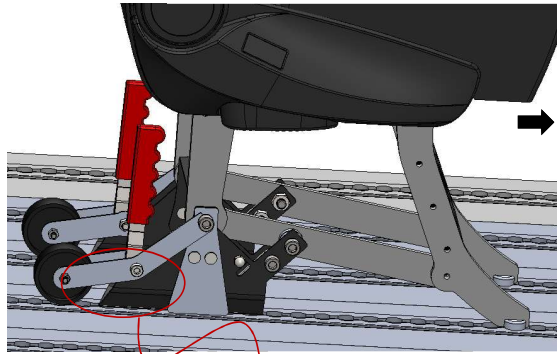


IMAGE 1:1



Fully assembled seat with the floor in locked condition



Tongue fully locked inside the floor panel

Image 1:2 ✓

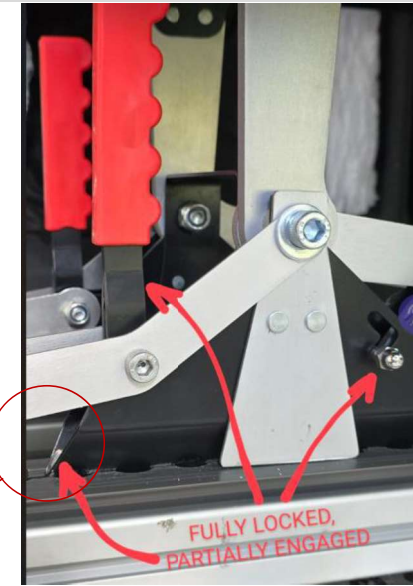
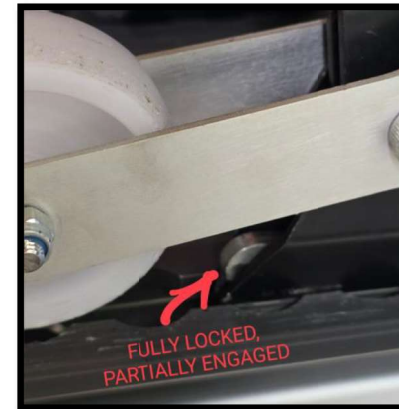


Image 1:3 ✗

Tongue is not fully inserted.

If the tongue is not fully inserted. Unlock the both locking handles and insert the tongue as shown in image 1:2 and lock the both locking handles.